

- 1
- 2
- 3
- 4
- 5
- 6
- 7
- 8
- 9
- 10
- 11
- 12
- 13
- 14
- 15
- 16
- 17
- 18

BODY

AISI CF-8 Stainless Steel-precision casting, sandblasted matte finish.

PLUNGER

AISI 303 stainless steel.

SPRING

AISI 301 stainless steel.

LIFTING RING

AISI 301 stainless steel.

KNOB

High-resilience polyamide based (PA) technopolymer, black colour, matte finish (not removable).

STANDARD EXECUTIONS

- **GN 417-A-NI:** with lifting ring.
- **GN 417-B-NI:** with lifting knob.
- **GN 417-C-NI:** with lifting knob and rest position.
- **GN 417-D-NI:** with eyelet reinforced ring drive.

FEATURES AND APPLICATIONS

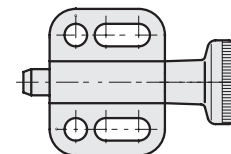
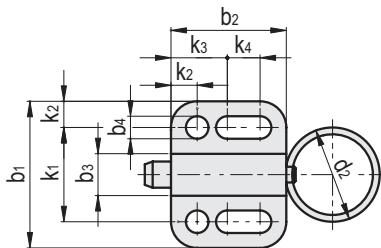
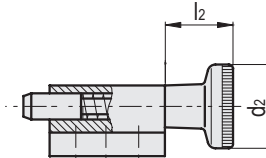
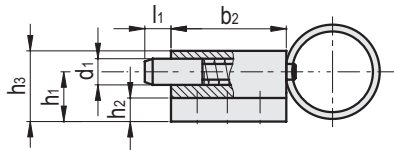
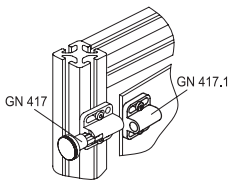
For optimal positioning of the plunger of GN 417-NI indexing plungers use positioning flanges GN 417.1 (see page 799).

The GN 417-D-NI eyelet reinforced implementation is particularly suitable for remote operation (e.g. via cable).



GN 417-A-NI

GN 417-B-NI



Conversion Table	
1 mm = 0.039 inch	
d1	
mm	inch
4	0.16
5	0.20
6	0.24
8	0.31
10	0.39

GN 417-A-NI

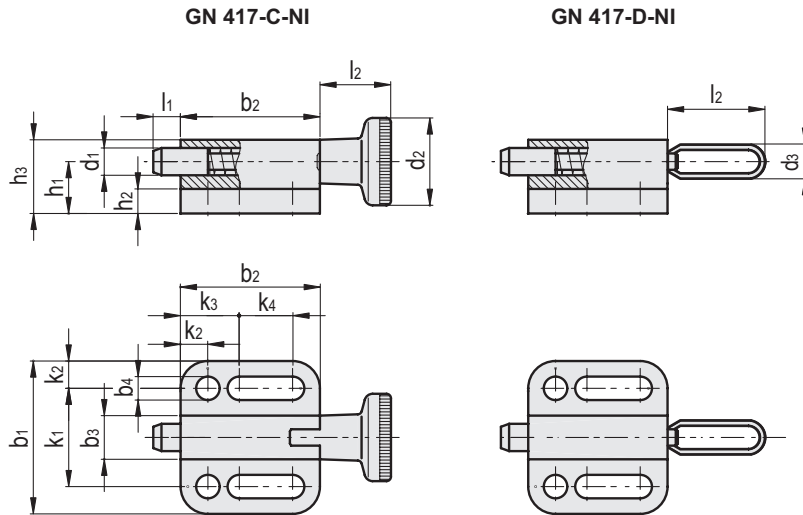
Code	Description	d1 Plunger h11 Foro +0.08 +0.03	d2	b1	b2	b3	b4 -0.2	h1	h2	h3	k1 ±0.05	k2	k3	k4	l1	Spring preload [N]	Spring max load [N]	
GN.20201	GN 417-4-A-NI	4	14	22	16.5	6	3.3	7	4	10	14	4	8	4.5	4	3	12	12
GN.20211	GN 417-5-A-NI	5	18	28	22	8	4.3	9.5	4.5	13.5	18	5	10	7	5	5	24	23
GN.20221	GN 417-6-A-NI	6	24	32	27.5	10	5.4	10.5	5	15.5	21	5.5	12	10	6	5	21	41
GN.20231	GN 417-8-A-NI	8	30	34	33	12	5.4	12.5	6	18.5	23	5.5	12	15.5	8	6	22	65
GN.20241	GN 417-10-A-NI	10	30	39	35	14.5	6.5	14.5	6	21.75	27	6	15	13.5	10	4	25	97

GN 417-B-NI

Code	Description	d1 Plunger h11 Hole +0.08 +0.03	d2	b1	b2	b3	b4 -0.2	h1	h2	h3	k1 ±0.05	k2	k3	k4	l1	l2	Spring preload [N]	Spring max load [N]	
GN.20202	GN 417-4-B-NI	4	12	22	16.5	6	3.3	7	4	10	14	4	8	4.5	4	10.5	3	12	12
GN.20212	GN 417-5-B-NI	5	16	28	22	8	4.3	9.5	4.5	13.5	18	5	10	7	5	13	5	24	24
GN.20222	GN 417-6-B-NI	6	18	32	27.5	10	5.4	10.5	5	15.5	21	5.5	12	10	6	15.5	5	21	41
GN.20232	GN 417-8-B-NI	8	21	34	33	12	5.4	12.5	6	18.5	23	5.5	12	15.5	8	18	6	22	65
GN.20242	GN 417-10-B-NI	10	25	39	35	14.5	6.5	14.5	6	21.75	27	6	15	13.5	10	22.5	4	25	106



Conversion Table	
1 mm = 0.039 inch	
d1	
mm	inch
4	0.16
5	0.20
6	0.24
8	0.31
10	0.39



GN 417-C-NI

INOX STAINLESS STEEL METRIC

Code	Description	d1 Plunger h11 Hole +0.08 +0.03	d2	b1	b2	b3	b4 -0.2	h1	h2	h3	k1 ±0.05	k2	k3	k4	l1	l2	Spring preload [N]	Spring max load [N]	△△
GN.20203	GN 417-4-C-NI	4	12	22	19	6	3.3	7	4	10	14	4	8	7	4	10.5	3	12	10
GN.20213	GN 417-5-C-NI	5	16	28	25.5	8	4.3	9.5	4.5	13.5	18	5	10	10.5	5	13	5	24	21
GN.20223	GN 417-6-C-NI	6	18	32	30.5	10	5.4	10.5	5	15.5	21	5.5	12	13	6	15.5	5	21	40
GN.20233	GN 417-8-C-NI	8	21	34	37.5	12	5.4	12.5	6	18.5	23	5.5	12	20	8	18	6	22	68
GN.20243	GN 417-10-C-NI	10	25	39	40	14.5	6.5	14.5	6	21.75	27	6	15	18.5	10	22.5	4	25	81

GN 417-D-NI

Code	Description	d1 Plunger h11 Hole +0.08 +0.03	d3	b1	b2	b3	b4 -0.2	h1	h2	h3	k1 ±0.05	k2	k3	k4	l1	l2	Spring preload [N]	Spring max load [N]	△△
GN.20204	GN 417-4-D-NI	4	6	22	16.5	6	3.3	7	4	10	14	4	8	4.5	4	13	3	12	10
GN.20214	GN 417-5-D-NI	5	7.2	28	22	8	4.3	9.5	4.5	13.5	18	5	10	7	5	15.5	5	24	20
GN.20224	GN 417-6-D-NI	6	9.5	32	27.5	10	5.4	10.5	5	15.5	21	5.5	12	10	6	21	5	21	35
GN.20234	GN 417-8-D-NI	8	11.8	34	33	12	5.4	12.5	6	18.5	23	5.5	12	15.5	8	26	6	22	57
GN.20244	GN 417-10-D-NI	10	11.8	39	35	14.5	6.5	14.5	6	21.75	27	6	15	13.5	10	26	4	25	82